



Pelletizers
MAXIMA

SALMATEC

SALMATEC

SALMATEC

SALMATEC pelletizers from the Maxima series have a modular design and can be adapted perfectly to the most diverse requirements.

**Cost-effective
and safe
to operate**

The different operating conditions a pelletizer is subjected to during production of pellets make high demands on construction and production. That's why SALMATEC pelletizers are made exclusively of high-quality materials and of course comply with the latest safety standards and guidelines.

The capacity per hour may amount to up to 50t depending on the type of machine and area of application.

All SALMATEC pelletizers from the MAXIMA series have many common technical characteristics:

Pelletizer housing

- compact high-quality steel-welded construction
- adjustable flaps for the drive motors installed directly on the housing

Press system

- vertically rotating die
- triple roller system, double roller system optionally available
- low-noise, one-level operated direct v-belt drive (standard dimensions)



SALMATEC

Main shaft

- highly stressable rotor on spherical roller bearings
- quickly replaceable rotor system

Access door

- can be swung open across the entire pressing room, separate inspection hatch for control purposes
- solid welded construction made of wear-resistant stainless steel, welded seams as double-sided fillet weld
- left or right door hinge

Safety

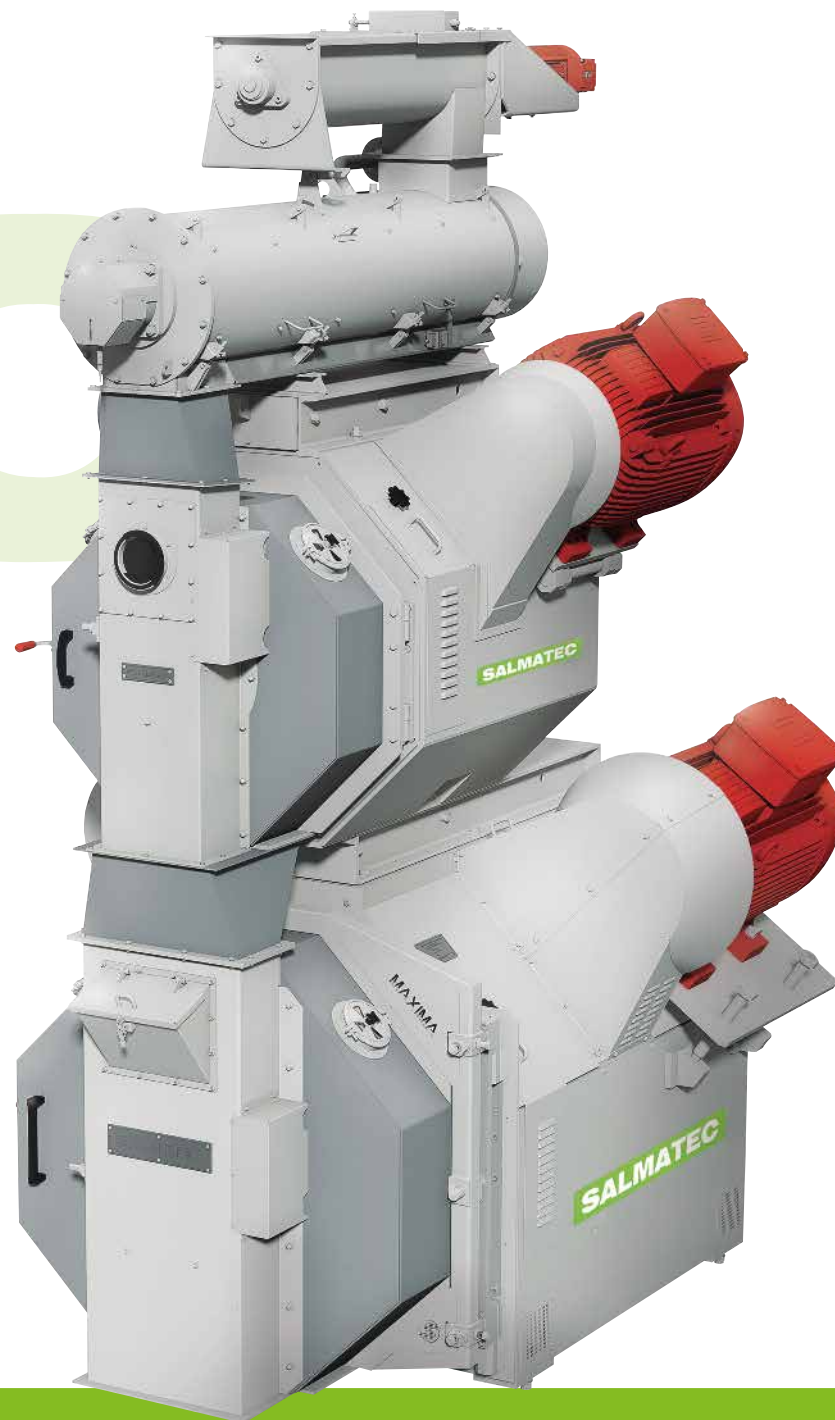
- pneumatically adjustable overload flap at press inlet (depending on model)
- strong permanent magnets at press inlet (depending on model)
- overload coupling (adjustable) to prevent damage from foreign matter

Efficiency

- one-level direct drive with high efficiency range
- use of drive motors of the highest efficiency class (optional)

Sustainability / Quality

- made in Germany with ecological, state-of-the-art product engineering
- quality management according to ISO 9001-2008



MAXIMA-DUPLEX

Small space double pelleting

This combination of two MAXIMA pelletizers ensures the highest pellet quality and performance improvement together with greater flexibility. The MAXIMA pelletizers also work individually or can be adapted to one another. The operating mode can be adjusted simply by using the pneumatically adjustable flap control device.



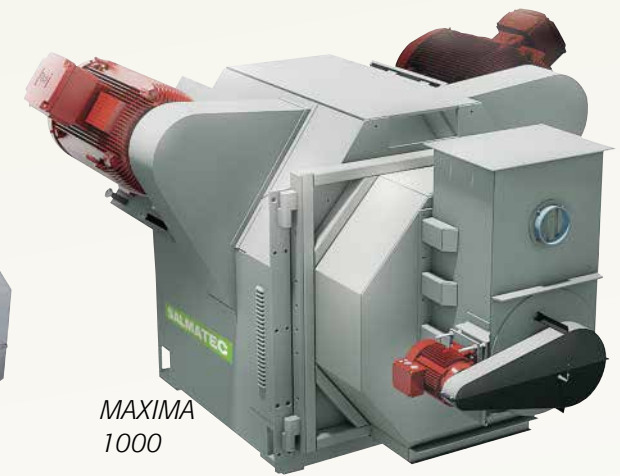
MAXIMA
360-40 mini



MAXIMA
500



MAXIMA
840



MAXIMA
1000

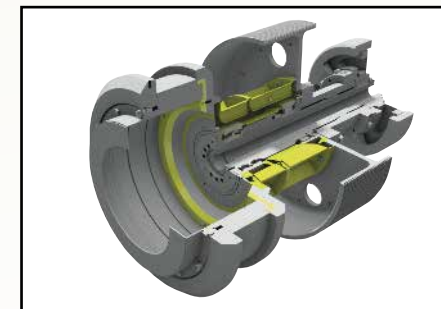
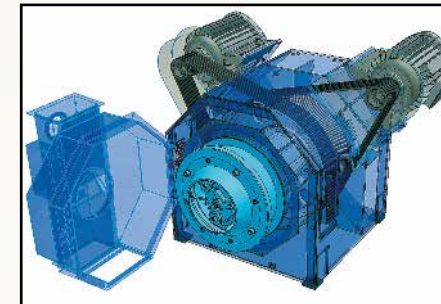
All MAXIMA pelletizers have a vertically rotating die in which two or three rollers ensure the highest pressure depending on the material to be processed. The MAXIMA pelletizers are driven by a low-noise, one-level operated direct v-belt drive which provides for an energy-efficient, even power transmission.

**Comprehensive
equipment**

The heart of the SALMATEC pelletizer, the generously sized spherical roller bearing of the rotor, provides the machine with sufficient reserves even under high stress.

The access door can be swung open across the entire pressing room and offers the best possible access to the pressing tools.

All MAXIMA pelletizers have comprehensive standard and safety equipment. This includes the overload flap, permanent magnets, shear pins and overload clutches, temperature control, safety switches and much more.



Main shaft



SALMATEC



MAXIMA pelletizers / models



Model	Drive power in KW	Die diameter in mm	Working width in mm
MAXIMA 360 mini	1 x 15 - 30	360	40
MAXIMA 360 eco	1 x 22 - 55	360	50, 75
MAXIMA 450 eco	1 x 22 - 75	450	60, 75, 100, 115
MAXIMA 450 mk	2 x 37 - 2 x 75	450	100, 115
MAXIMA 500mk	2 x 37 - 2 x 75	500	100, 135
MAXIMA 450 k	2 x 37 - 2 x 75	450	100, 115
MAXIMA 500 k	2 x 37 - 2 x 75	500	100, 135
MAXIMA 580 k	2 x 37 - 2 x 75	580	100, 150
MAXIMA 620 k	2 x 75 - 2 x 110	620	100, 150
MAXIMA 700 k	2 x 75 - 2 x 132	700	100, 130, 175, 225
MAXIMA 840 k	2 x 90 - 2 x 185	840	125, 200, 240, 270
MAXIMA 900 k	2 x 110 - 2 x 200	900	125, 300
MAXIMA 1000 k	2 x 110 - 2 x 250	1000	300

Options (selection)

- Optionally double or triple roller system
- Automatic roller gap adjustment
- Noise protection insulation
- Electric door heating
- Heat protection insulation
- Quick die changing system
- Roller temperature control
- Roller cooling
- Multi knife
- Automatic central lubrication unit
- Forced feeder
- Die and roller hoist frame hydraulically actuated
- Triple axle vibration measurement system
- Special designs for processing extremely lightweight bulk material
- Maintenance drive
- Pneumatically adjustable pellet knives
- Paintwork in colour of your choice

Automatic roller gap adjustment 3-K



Maintenance drive



Multi knife / triple roller system

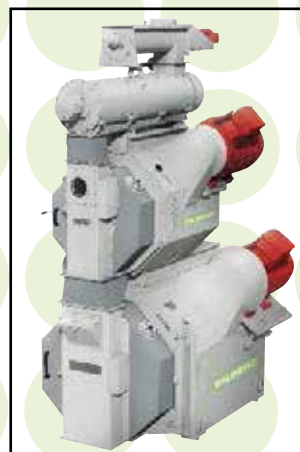
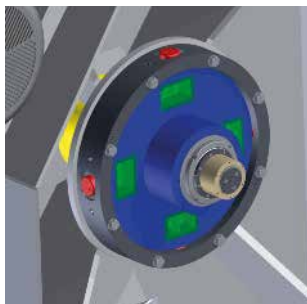


Forced feeder



SALMATEC


...the whole scope of pelleting





SALMATEC

Salzhausener Maschinenbautechnik GmbH
Bahnhofstrasse 15a
D - 21376 Salzhausen (Germany)
Fon: +49 4172 9897 0
Fax: +49 4172 1394
info@salmatec.de · www.salmatec.de

 ZERT certified according to DIN EN ISO 9001

*...the whole
scope of
pelleting*



SALMATEC